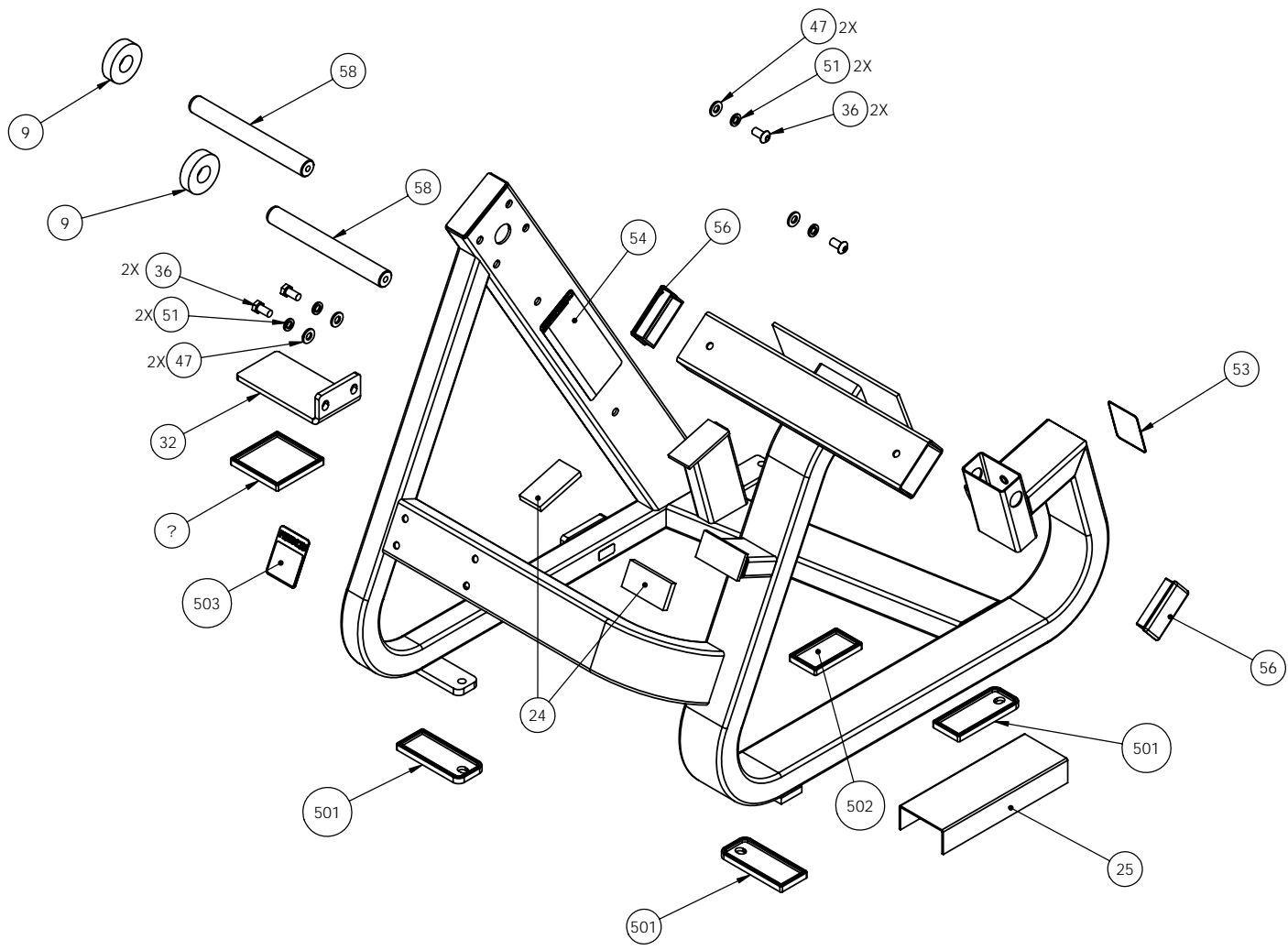
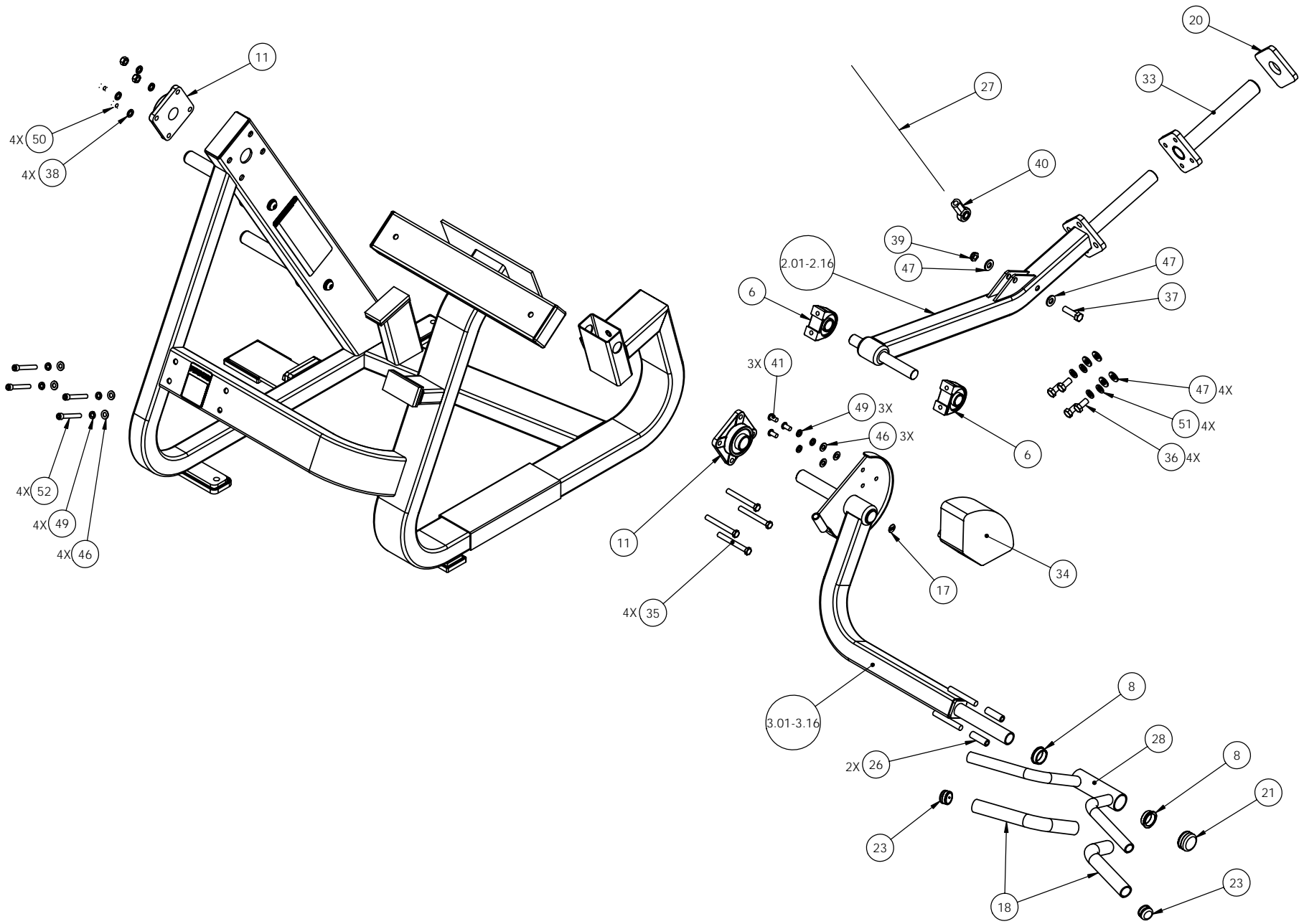


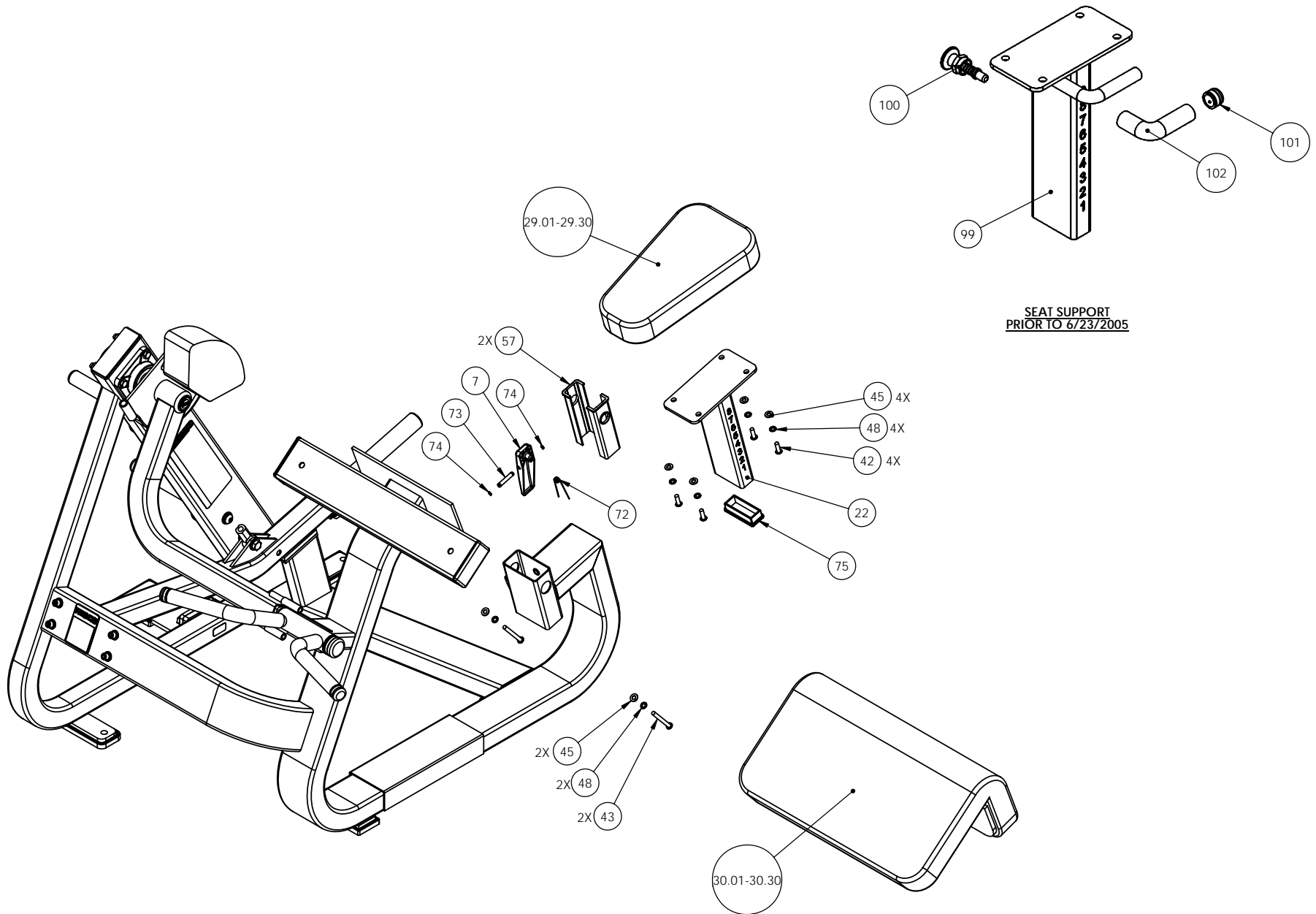
520	P/N : CW31446-102	SUBREV : C
DRAWN BY : CT	DATE : 11.03.05	SHEET 1 OF 4



520	P/N : CW31446-102	SUBREV : C
DRAWN BY : CT	DATE : 11.03.05	SHEET 2 OF 4



520	P/N : CW31446-102	SUBREV : C
DRAWN BY : CT	DATE : 11.03.05	SHEET 3 OF 4



520	P/N : CW31446-102	SUBREV : C
DRAWN BY : CT	DATE : 11.03.05	SHEET 4 OF 4

**520 Flite Bicep Curl**

<b>Part Number</b>	<b>Description</b>	<b>Bubble Number</b>
CW520SA1-211	ASSY,FRAME,MAIN,FLT520,SKY WHITE	1.01
CW520SA1-212	ASSY,FRAME,MAIN,FLT520,SKY WHITE	1.01
CW520SA1-221	ASSY,FRAME,MAIN,FLT520,BLACK	1.02
CW520SA1-222	ASSY,FRAME,MAIN,FLT520,BLACK	1.02
CW520SA1-231	ASSY,FRAME,MAIN,FLT520,RED	1.03
CW520SA1-241	ASSY,FRAME,MAIN,FLT520,PLAT SPRKLE	1.04
CW520SA1-251	ASSY,FRAME,MAIN,FLT520,SILVER	1.05
CW520SA1-261	ASSY,FRAME,MAIN,FLT520,BLUE	1.06
CW520SA1-271	ASSY,FRAME,MAIN,FLT520,CHARCOAL	1.07
CW520SA1-281	ASSY,FRAME,MAIN,FLT520,CATH GRAY	1.08
CW520SA1-291	ASSY,FRAME,MAIN,FLT520,SILVER VIEN	1.09
CW520SA1-312	ASSY,FRAME,MAIN,FLT520,STONE HG	1.11
CW520SA1-321	ASSY,FRAME,MAIN,FLT520,TITANIUM HG	1.12
CW520SA1-322	ASSY,FRAME,MAIN,FLT520,TITANIUM HG	1.12
CW520SA1-331	ASSY,FRAME,MAIN,FLT520,WHITE GLOSS	1.13
CW520SA1-341	ASSY,FRAME,MAIN,FLT520,BLACK ONYX	1.14
CW520SA1-351	ASSY,FRAME,MAIN,FLT520,LT. BRONZE	1.15
CW520SA1-352	ASSY,FRAME,MAIN,FLT520,LT. BRONZE	1.15
CW520SA1-361	ASSY,FRAME,MAIN,FLT520,SAPPHIRE BL	1.16
CW520SA1-362	ASSY,FRAME,MAIN,FLT520,SAPPHIRE BL	1.16
CW520521SA2-211	ASSY,WEIGHT ARM FLT520/521,SKY WHIT	2.01
CW520521SA2-221	ASSY,WEIGHT ARM FLT520/521,BLACK	2.02
CW520521SA2-231	ASSY,WEIGHT ARM FLT520/521,RED	2.03
CW520521SA2-241	ASSY,WEIGHT ARM FLT520/521,PLATINUM	2.04
CW520521SA2-251	ASSY,WEIGHT ARM FLT520/521,SILVER	2.05
CW520521SA2-261	ASSY,WEIGHT ARM FLT520/521,BLUE	2.06
CW520521SA2-271	ASSY,WEIGHT ARM FLT520/521,CHARCOAL	2.07
CW520521SA2-281	ASSY,WEIGHT ARM FLT520/521,CATHEDRA	2.08
CW520521SA2-291	ASSY,WEIGHT ARM FLT520/521,SILVER V	2.09
CW520521SA2-311	ASSY,WEIGHT ARM FLT520/521,STONE HG	2.11
CW520521SA2-321	ASSY,WEIGHT ARM FLT520/521,TITANIUM	2.12
CW520521SA2-331	ASSY,WEIGHT ARM FLT520/521,WHITE GL	2.13
CW520521SA2-341	ASSY,WEIGHT ARM FLT520/521,BLACK ON	2.14
CW520521SA2-351	ASSY,WEIGHT ARM FLT520/521,LIGHT BR	2.15
CW520521SA2-361	ASSY,WEIGHT ARM FLT520/521,SAPPHIRE	2.16
CW520SA3-211	ASSY,ARM & CAM,FLT520,SKY WHITE	3.01
CW520SA3-221	ASSY,ARM & CAM,FLT520,BLACK	3.02
CW520SA3-231	ASSY,ARM & CAM,FLT520,RED	3.03
CW520SA3-241	ASSY,ARM & CAM,FLT520,PLAT SPKLE	3.04
CW520SA3-251	ASSY,ARM & CAM,FLT520,SILVER	3.05
CW520SA3-261	ASSY,ARM & CAM,FLT520,BLUE	3.06
CW520SA3-271	ASSY,ARM & CAM,FLT520,CHARCOAL	3.07
CW520SA3-281	ASSY,ARM & CAM,FLT520,CATH GRY	3.08
CW520SA3-291	ASSY,ARM & CAM,FLT520,SILVER VIEN	3.09
CW520SA3-311	ASSY,ARM & CAM,FLT520,STONE HG	3.11
CW520SA3-321	ASSY,ARM & CAM,FLT520,TITANIUM HG	3.12
CW520SA3-331	ASSY,ARM & CAM,FLT520,WHITE GLOSS	3.13
CW520SA3-341	ASSY,ARM & CAM,FLT520,BLACK ONYX	3.14
CW520SA3-351	ASSY,ARM & CAM,FLT520,LIGHT BRONZE	3.15

CW520SA3-361	ASSY,ARM & CAM,FLT520,SAPPHIRE BLUE	3.16
CW12406-101	PILLOW BLOCK, BEARING, 2 BOLT	6
CW32460-321	ASSY, RATCHETING LEVER, TITANIUM	7
CW10043-135	BUSHING, BRONZE, 1 1/4" ID X 1 1/2"	8
CW12402-101	BUMPER, WEIGHT STACK, BLK RUBBER	9
CW12407-101	PILLOW BLOCK, BEARING, FLANGE, 4 BO	11
CWAC1232-101	LABEL, ROUND, "PIVOT"	17
CWCP1033-101	CUT PIECE, CREPE, 7/16 X 4 X 4, 1 H	17
CWGR2611-000	GRIP,RUBBER, 1" DIA, 11"	18
CWAC221-901	SHAFT END CAP W/SET SCREWS, DIA 1 1	21
CW32215-711	ASSEMBLY, SEAT ADJUSTMENT, 8 HOLE,	22
CWAC218-901	HANDLE END CAP W/SET SCREWS, DIA 1"	23
CW30014-105	CUT PIECE, CREPE, 7/16 X 2 X 4	24
CWCP8112-000	CUT PIECE, ABS CHANNEL,1/8 X 2 X 4	25
CW10340-200	TUBE, VINYL, 5/8 OD X 3/8 ID X 2.0	26
CWCLHP026-125	ASSY, CABLE, FLT520, FLT521	27
CW30182-721	ASSY,CAMBER & BICEP CURL HANDLE,WRN	28
CWPD1207B-101	PAD,5X9X14.5,4HOLES,W/BP,BLACK	29.01
CWPD1207B-102	PAD,5X9X14.5,4HOLES,W/BP,RYL BL	29.02
CWPD1207B-103	PAD,5X9X14.5,4HOLES,W/BP,DVE GRY	29.03
CWPD1207B-104	PAD,5X9X14.5,4HOLES,W/BP,CROCUS	29.04
CWPD1207B-105	PAD,5X9X14.5,4HOLES,W/BP,GROTTO	29.05
CWPD1207B-106	PAD,5X9X14.5,4HOLES,W/BP,GRAPHITE	29.06
CWPD1207B-107	PAD,5X9X14.5,4HOLES,W/BP,RED	29.07
CWPD1207B-108	PAD,5X9X14.5,4HOLES,W/BP,CHN GRN	29.08
CWPD1207B-109	PAD,5X9X14.5,4HOLES,W/BP,TURQSE	29.09
CWPD1207B-110	PAD,5X9X14.5,4HOLES,W/BP,RASP	29.1
CWPD1207B-111	PAD,5X9X14.5,4HOLES,W/BP,PLUM	29.11
CWPD1207B-112	PAD,5X9X14.5,4HOLES,W/BP,REGIMENT	29.12
CWPD1207B-113	PAD,5X9X14.5,4HOLES,W/BP,SPC BLUE	29.13
CWPD1207B-115	PAD,5X9X14.5,4HOLES,W/BP,BLK LTHR	29.15
CWPD1207B-116	PAD,5X9X14.5,4HOLES,W/BP,NVBL LTH	29.16
CWPD1207B-117	PAD,5X9X14.5,4HOLES,W/BP,PUTTY	29.17
CWPD1207B-118	PAD,5X9X14.5,4HOLES,W/BP,IMPRL BL	29.18
CWPD1207B-119	PAD,5X9X14.5,4HOLES,W/BP,YEW GRN	29.19
CWPD1207B-120	PAD,5X9X14.5,4HOLES,W/BP,DSTY JD	29.2
CWPD1207B-121	PAD,5X9X14.5,4HOLES,W/BP,TER COT	29.21
CWPD1207B-122	PAD,5X9X14.5,4HOLES,W/BP,PAPRIKA	29.22
CWPD1207B-123	PAD,5X9X14.5,4HLS,W/BP,ASH LTHR	29.23
CWPD1207B-124	PAD,5X9X14.5,4HLS,W/BP,CERULAN LTHR	29.24
CWPD1207B-125	PAD,5X9X14.5,4HLS,W/BP,CHARCOAL LTH	29.25
CWPD1207B-126	PAD,5X9X14.5,4HLS,W/BP,HUNTER LTHR	29.26
CWPD1207B-127	PAD,5X9X14.5,4HLS,W/BP,MOSS LTHR	29.27
CWPD1207B-128	PAD,5X9X14.5,4HLS,W/BP,SPICE LTHR	29.28
CWPD1207B-129	PAD,5X9X14.5,4HLS,W/BP,TOMATO LTH	29.29
CWPD1507J-101	PAD,ANG,2P(9.69X22)(5.63X22)BLK,W/S	30.01
CWPD1507J-102	PAD,ANG,2P(9.69X22)(5.63X22)RY BL,W	30.02
CWPD1507J-104	PAD,ANG,2P(9.69X22)(5.63X22)CRCS,W/	30.04
CWPD1507J-106	PAD,ANG,2P(9.69X22)(5.63X22)GRPHT,W	30.06
CWPD1507J-107	PAD,ANG,2P(9.69X22)(5.63X22)RED,W/S	30.07
CWPD1507J-108	PAD,ANG,2P(9.69X22)(5.63X22)CHGR,W/	30.08

CWPD1507J-109	PAD,ANG,2P(9.69X22)(5.63X22)TRQS,W/	30.09
CWPD1507J-110	PAD,ANG,2P(9.69X22)(5.63X22)RASP,W/	30.1
CWPD1507J-111	PAD,ANG,2P(9.69X22)(5.63X22)PLUM,W/	30.11
CWPD1507J-112	PAD,ANG,2P(9.69X22)(5.63X22)RGMT,W/	30.12
CWPD1507J-113	PAD,ANG,2P(9.69X22)(5.63X22)SP BL,W	30.13
CWPD1507J-115	PAD,ANG,2P(9.69X22)(5.63X22)BLK LT,	30.15
CWPD1507J-116	PAD,ANG,2P(9.69X22)(5.63X22)NBL LT,	30.16
CWPD1507J-117	PAD,ANG,2P(9.69X22)(5.63X22),PUTTY,	30.17
CWPD1507J-118	PAD,ANG,2P(9.69X22)(5.63X22)IMPL BL	30.18
CWPD1507J-119	PAD,ANG,2P(9.69X22)(5.63X22)YEW GRN	30.19
CWPD1507J-120	PAD,ANG,2P(9.69X22)(5.63X22)DSTY JD	30.2
CWPD1507J-121	PAD,ANG,2P(9.69X22)(5.63X22)TER COT	30.21
CWPD1507J-122	PAD,ANG,2P(9.69X22)(5.63X22)PAPRIKA	30.22
CWPD1507J-123	PD,ANG,2P,9.69X22,5.63X22,ASH LTHR,	30.23
CWPD1507J-124	PD,ANG,2P,9.69X22,5.63X22,CERLN LTH	30.24
CWPD1507J-125	PD,ANG,2P,9.69X22,5.63X22,CHRCL LTH	30.25
CWPD1507J-126	PD,ANG,2P,9.69X22,5.63X22,HNTR LTH,	30.26
CWPD1507J-127	PD,ANG,2P,9.69X22,5.63X22,MOSS LTH,	30.27
CWPD1507J-128	PD,ANG,2P,9.69X22,5.63X22,SPICE LTH	30.28
CWPD1507J-129	PD,ANG,2P,9.69X22,5.63X22,TOMTO LTH	30.29
CWPF2219-721	BAR,STEEL, FLAT, 3/8 X 4 X (10), 1	32
CWSA1122-741	ASSY,WEIGHT,HOLDER,1.5 X 10.5,CLEAR	33
CWSA1502-721	WELDMENT, COUNTER WEIGHT, 3" THK, W	34
CWHCYN044-375	SCREW, HEX HEAD , BLK XYLA	35
CWHCYN050-100	SCREW,HEX HEAD,BLK XYLAN,1/2-13 X 1	36
CWHCYN050-175	SCREW, HEX HEAD, BLK XYLAN, 1/2-13	37
CWKMYN044-038	NUT, HEX, UNC, 7/16-14, BLK XYLAN	38
CWKAYN050-031	LOCKNUT, NYLON INSERT, HALF, UNC, 1	39
CWCLFA1064-741	ROD END, FEMALE, STEEL, ZINC, CAD,	40
CWTAYN038-075	SCREW, BUTTON HEAD, BLK XYLAN, 3/8	41
CWTAYN031-100	SCREW, BUTTON HEAD, BLK XYLAN, 5/1	42
CWTAYN031-300	SCREW, BUTTON HEAD, BLK XYLAN,5/16	43
CWWBKN031-007	WASHER, FLAT, TYPE A, SAE, 5/16 ID	45
CWWBKN038-007	WASHER, FLAT, TYPE A, SAE, 3/8 ID	46
CWWBKN050-010	WASHER, FLAT, TYPE A, SAE, 1/2 ID X	47
CWWALYN031-008	WASHER, SPLIT, 5/16 ID, BL	48
CWWALYN038-009	WASHER, SPLIT, 3/8 ID, BLK XYLAN	49
CWWALYN044-011	WASHER, SPLIT, 7/16 ID, BLK XYLAN	50
CWWALYN050-013	WASHER, SPLIT, 1/2 ID, BLK XYLAN	51
CWCAYN038-275	SCREW, SOCKET HEAD, BLK XYLAN, 3/	52
CW30010-101	LABEL,WARNING STRENGTH	53
CW30065-101	LABEL,INSTRUCTION,FLT520	54
CW31759-101	LABEL,SMALL PRECOR USA ICARIAN LINE	55
CW11311-102	ENDCAP, REC TUBE, 2X4, BLK PLASTIC	56
CWAC1236-102	GUIDE INSERT, PLASTIC WITH HOLE, BL	57
CWPF1725-741	BAR,STEEL RND, DIA 1 1/4" X (11), 1	58
CW31784-731	STOP PLUG, BLK ZN	59
CW12634-101	SPRING, TORSION 90 DEG X 0.484 X 0.	72
CW31770-742	LATCH PIVOTING PIN, CLR ZN	73
CWAMNN028-003	RING, RETAINING, 2-TURN, SPIRAL, SS	74
CW12633-101	ENDCAP, REC TUBE, LDP, 1 1/2 X 3 1	75

CW30181-711	ASSY,SEAT SUPPORT,9 HOLE,CHM	99
CW30165-751	ASSY, POP PIN, 0.450 DIA HANDLE, B	100
CWAC220-901	HANDLE END CAP W/SET SCREWS, DIA 3/	101
CWGR2505-000	GRIP,RUBBER,3/4" DIA, 5"	102
CWAC1178-101	FLOOR PROTECTOR, RUBBER, 2.563 X 6.	501
CWAC1180-101	FLOOR PROTECTOR, RUBBER, 2.563 X 4.	502
CWAC1181-101	FLOOR PROTECTOR, RUBBER, 4.563 X 4.	503



**520 Flite Bicep Curl**

<b>Part Number</b>	<b>Description</b>	<b>Bubble Number</b>
CW520SA1-211	ASSY,FRAME,MAIN,FLT520,SKY WHITE	1.01
CW520SA1-212	ASSY,FRAME,MAIN,FLT520,SKY WHITE	1.01
CW520SA1-221	ASSY,FRAME,MAIN,FLT520,BLACK	1.02
CW520SA1-222	ASSY,FRAME,MAIN,FLT520,BLACK	1.02
CW520SA1-231	ASSY,FRAME,MAIN,FLT520,RED	1.03
CW520SA1-241	ASSY,FRAME,MAIN,FLT520,PLAT SPRKLE	1.04
CW520SA1-251	ASSY,FRAME,MAIN,FLT520,SILVER	1.05
CW520SA1-261	ASSY,FRAME,MAIN,FLT520,BLUE	1.06
CW520SA1-271	ASSY,FRAME,MAIN,FLT520,CHARCOAL	1.07
CW520SA1-281	ASSY,FRAME,MAIN,FLT520,CATH GRAY	1.08
CW520SA1-291	ASSY,FRAME,MAIN,FLT520,SILVER VIEN	1.09
CW520SA1-312	ASSY,FRAME,MAIN,FLT520,STONE HG	1.11
CW520SA1-321	ASSY,FRAME,MAIN,FLT520,TITANIUM HG	1.12
CW520SA1-322	ASSY,FRAME,MAIN,FLT520,TITANIUM HG	1.12
CW520SA1-331	ASSY,FRAME,MAIN,FLT520,WHITE GLOSS	1.13
CW520SA1-341	ASSY,FRAME,MAIN,FLT520,BLACK ONYX	1.14
CW520SA1-351	ASSY,FRAME,MAIN,FLT520,LT. BRONZE	1.15
CW520SA1-352	ASSY,FRAME,MAIN,FLT520,LT. BRONZE	1.15
CW520SA1-361	ASSY,FRAME,MAIN,FLT520,SAPPHIRE BL	1.16
CW520SA1-362	ASSY,FRAME,MAIN,FLT520,SAPPHIRE BL	1.16
CW520521SA2-211	ASSY,WEIGHT ARM FLT520/521,SKY WHIT	2.01
CW520521SA2-221	ASSY,WEIGHT ARM FLT520/521,BLACK	2.02
CW520521SA2-231	ASSY,WEIGHT ARM FLT520/521,RED	2.03
CW520521SA2-241	ASSY,WEIGHT ARM FLT520/521,PLATINUM	2.04
CW520521SA2-251	ASSY,WEIGHT ARM FLT520/521,SILVER	2.05
CW520521SA2-261	ASSY,WEIGHT ARM FLT520/521,BLUE	2.06
CW520521SA2-271	ASSY,WEIGHT ARM FLT520/521,CHARCOAL	2.07
CW520521SA2-281	ASSY,WEIGHT ARM FLT520/521,CATHEDRA	2.08
CW520521SA2-291	ASSY,WEIGHT ARM FLT520/521,SILVER V	2.09
CW520521SA2-311	ASSY,WEIGHT ARM FLT520/521,STONE HG	2.11
CW520521SA2-321	ASSY,WEIGHT ARM FLT520/521,TITANIUM	2.12
CW520521SA2-331	ASSY,WEIGHT ARM FLT520/521,WHITE GL	2.13
CW520521SA2-341	ASSY,WEIGHT ARM FLT520/521,BLACK ON	2.14
CW520521SA2-351	ASSY,WEIGHT ARM FLT520/521,LIGHT BR	2.15
CW520521SA2-361	ASSY,WEIGHT ARM FLT520/521,SAPPHIRE	2.16
CW520SA3-211	ASSY,ARM & CAM,FLT520,SKY WHITE	3.01
CW520SA3-221	ASSY,ARM & CAM,FLT520,BLACK	3.02
CW520SA3-231	ASSY,ARM & CAM,FLT520,RED	3.03
CW520SA3-241	ASSY,ARM & CAM,FLT520,PLAT SPKLE	3.04
CW520SA3-251	ASSY,ARM & CAM,FLT520,SILVER	3.05
CW520SA3-261	ASSY,ARM & CAM,FLT520,BLUE	3.06
CW520SA3-271	ASSY,ARM & CAM,FLT520,CHARCOAL	3.07
CW520SA3-281	ASSY,ARM & CAM,FLT520,CATH GRY	3.08
CW520SA3-291	ASSY,ARM & CAM,FLT520,SILVER VIEN	3.09
CW520SA3-311	ASSY,ARM & CAM,FLT520,STONE HG	3.11
CW520SA3-321	ASSY,ARM & CAM,FLT520,TITANIUM HG	3.12
CW520SA3-331	ASSY,ARM & CAM,FLT520,WHITE GLOSS	3.13
CW520SA3-341	ASSY,ARM & CAM,FLT520,BLACK ONYX	3.14
CW520SA3-351	ASSY,ARM & CAM,FLT520,LIGHT BRONZE	3.15

CW520SA3-361	ASSY,ARM & CAM,FLT520,SAPPHIRE BLUE	3.16
CW12406-101	PILLOW BLOCK, BEARING, 2 BOLT	6
CW32460-321	ASSY, RATCHETING LEVER, TITANIUM	7
CW10043-135	BUSHING, BRONZE, 1 1/4" ID X 1 1/2"	8
CW12402-101	BUMPER, WEIGHT STACK, BLK RUBBER	9
CW12407-101	PILLOW BLOCK, BEARING, FLANGE, 4 BO	11
CWAC1232-101	LABEL, ROUND, "PIVOT"	17
CWCP1033-101	CUT PIECE, CREPE, 7/16 X 4 X 4, 1 H	17
CWGR2611-000	GRIP,RUBBER, 1" DIA, 11"	18
CWAC221-901	SHAFT END CAP W/SET SCREWS, DIA 1 1	21
CW32215-711	ASSEMBLY, SEAT ADJUSTMENT, 8 HOLE,	22
CWAC218-901	HANDLE END CAP W/SET SCREWS, DIA 1"	23
CW30014-105	CUT PIECE, CREPE, 7/16 X 2 X 4	24
CWCP8112-000	CUT PIECE, ABS CHANNEL,1/8 X 2 X 4	25
CW10340-200	TUBE, VINYL, 5/8 OD X 3/8 ID X 2.0	26
CWCLHP026-125	ASSY, CABLE, FLT520, FLT521	27
CW30182-721	ASSY,CAMBER & BICEP CURL HANDLE,WRN	28
CWPD1207B-101	PAD,5X9X14.5,4HOLES,W/BP,BLACK	29.01
CWPD1207B-102	PAD,5X9X14.5,4HOLES,W/BP,RYL BL	29.02
CWPD1207B-103	PAD,5X9X14.5,4HOLES,W/BP,DVE GRY	29.03
CWPD1207B-104	PAD,5X9X14.5,4HOLES,W/BP,CROCUS	29.04
CWPD1207B-105	PAD,5X9X14.5,4HOLES,W/BP,GROTTO	29.05
CWPD1207B-106	PAD,5X9X14.5,4HOLES,W/BP,GRAPHITE	29.06
CWPD1207B-107	PAD,5X9X14.5,4HOLES,W/BP,RED	29.07
CWPD1207B-108	PAD,5X9X14.5,4HOLES,W/BP,CHN GRN	29.08
CWPD1207B-109	PAD,5X9X14.5,4HOLES,W/BP,TURQSE	29.09
CWPD1207B-110	PAD,5X9X14.5,4HOLES,W/BP,RASP	29.1
CWPD1207B-111	PAD,5X9X14.5,4HOLES,W/BP,PLUM	29.11
CWPD1207B-112	PAD,5X9X14.5,4HOLES,W/BP,REGIMENT	29.12
CWPD1207B-113	PAD,5X9X14.5,4HOLES,W/BP,SPC BLUE	29.13
CWPD1207B-115	PAD,5X9X14.5,4HOLES,W/BP,BLK LTHR	29.15
CWPD1207B-116	PAD,5X9X14.5,4HOLES,W/BP,NVBL LTH	29.16
CWPD1207B-117	PAD,5X9X14.5,4HOLES,W/BP,PUTTY	29.17
CWPD1207B-118	PAD,5X9X14.5,4HOLES,W/BP,IMPRL BL	29.18
CWPD1207B-119	PAD,5X9X14.5,4HOLES,W/BP,YEW GRN	29.19
CWPD1207B-120	PAD,5X9X14.5,4HOLES,W/BP,DSTY JD	29.2
CWPD1207B-121	PAD,5X9X14.5,4HOLES,W/BP,TER COT	29.21
CWPD1207B-122	PAD,5X9X14.5,4HOLES,W/BP,PAPRIKA	29.22
CWPD1207B-123	PAD,5X9X14.5,4HLS,W/BP,ASH LTHR	29.23
CWPD1207B-124	PAD,5X9X14.5,4HLS,W/BP,CERULAN LTHR	29.24
CWPD1207B-125	PAD,5X9X14.5,4HLS,W/BP,CHARCOAL LTH	29.25
CWPD1207B-126	PAD,5X9X14.5,4HLS,W/BP,HUNTER LTHR	29.26
CWPD1207B-127	PAD,5X9X14.5,4HLS,W/BP,MOSS LTHR	29.27
CWPD1207B-128	PAD,5X9X14.5,4HLS,W/BP,SPICE LTHR	29.28
CWPD1207B-129	PAD,5X9X14.5,4HLS,W/BP,TOMATO LTH	29.29
CWPD1507J-101	PAD,ANG,2P(9.69X22)(5.63X22)BLK,W/S	30.01
CWPD1507J-102	PAD,ANG,2P(9.69X22)(5.63X22)RY BL,W	30.02
CWPD1507J-104	PAD,ANG,2P(9.69X22)(5.63X22)CRCS,W/	30.04
CWPD1507J-106	PAD,ANG,2P(9.69X22)(5.63X22)GRPHT,W	30.06
CWPD1507J-107	PAD,ANG,2P(9.69X22)(5.63X22)RED,W/S	30.07
CWPD1507J-108	PAD,ANG,2P(9.69X22)(5.63X22)CHGR,W/	30.08

CWPD1507J-109	PAD,ANG,2P(9.69X22)(5.63X22)TRQS,W/	30.09
CWPD1507J-110	PAD,ANG,2P(9.69X22)(5.63X22)RASP,W/	30.1
CWPD1507J-111	PAD,ANG,2P(9.69X22)(5.63X22)PLUM,W/	30.11
CWPD1507J-112	PAD,ANG,2P(9.69X22)(5.63X22)RGMT,W/	30.12
CWPD1507J-113	PAD,ANG,2P(9.69X22)(5.63X22)SP BL,W	30.13
CWPD1507J-115	PAD,ANG,2P(9.69X22)(5.63X22)BLK LT,	30.15
CWPD1507J-116	PAD,ANG,2P(9.69X22)(5.63X22)NBL LT,	30.16
CWPD1507J-117	PAD,ANG,2P(9.69X22)(5.63X22),PUTTY,	30.17
CWPD1507J-118	PAD,ANG,2P(9.69X22)(5.63X22)IMPL BL	30.18
CWPD1507J-119	PAD,ANG,2P(9.69X22)(5.63X22)YEW GRN	30.19
CWPD1507J-120	PAD,ANG,2P(9.69X22)(5.63X22)DSTY JD	30.2
CWPD1507J-121	PAD,ANG,2P(9.69X22)(5.63X22)TER COT	30.21
CWPD1507J-122	PAD,ANG,2P(9.69X22)(5.63X22)PAPRIKA	30.22
CWPD1507J-123	PD,ANG,2P,9.69X22,5.63X22,ASH LTHR,	30.23
CWPD1507J-124	PD,ANG,2P,9.69X22,5.63X22,CERLN LTH	30.24
CWPD1507J-125	PD,ANG,2P,9.69X22,5.63X22,CHRCL LTH	30.25
CWPD1507J-126	PD,ANG,2P,9.69X22,5.63X22,HNTR LTH,	30.26
CWPD1507J-127	PD,ANG,2P,9.69X22,5.63X22,MOSS LTH,	30.27
CWPD1507J-128	PD,ANG,2P,9.69X22,5.63X22,SPICE LTH	30.28
CWPD1507J-129	PD,ANG,2P,9.69X22,5.63X22,TOMTO LTH	30.29
CWPF2219-721	BAR,STEEL, FLAT, 3/8 X 4 X (10), 1	32
CWSA1122-741	ASSY,WEIGHT,HOLDER,1.5 X 10.5,CLEAR	33
CWSA1502-721	WELDMENT, COUNTER WEIGHT, 3" THK, W	34
CWHCYN044-375	SCREW, HEX HEAD , BLK XYLA	35
CWHCYN050-100	SCREW,HEX HEAD,BLK XYLAN,1/2-13 X 1	36
CWHCYN050-175	SCREW, HEX HEAD, BLK XYLAN, 1/2-13	37
CWKMYN044-038	NUT, HEX, UNC, 7/16-14, BLK XYLAN	38
CWKAYN050-031	LOCKNUT, NYLON INSERT, HALF, UNC, 1	39
CWCLFA1064-741	ROD END, FEMALE, STEEL, ZINC, CAD,	40
CWTAYN038-075	SCREW, BUTTON HEAD, BLK XYLAN, 3/8	41
CWTAYN031-100	SCREW, BUTTON HEAD, BLK XYLAN, 5/1	42
CWTAYN031-300	SCREW, BUTTON HEAD, BLK XYLAN,5/16	43
CWWBKN031-007	WASHER, FLAT, TYPE A, SAE, 5/16 ID	45
CWWBKN038-007	WASHER, FLAT, TYPE A, SAE, 3/8 ID	46
CWWBKN050-010	WASHER, FLAT, TYPE A, SAE, 1/2 ID X	47
CWWALYN031-008	WASHER, SPLIT, 5/16 ID, BL	48
CWWALYN038-009	WASHER, SPLIT, 3/8 ID, BLK XYLAN	49
CWWALYN044-011	WASHER, SPLIT, 7/16 ID, BLK XYLAN	50
CWWALYN050-013	WASHER, SPLIT, 1/2 ID, BLK XYLAN	51
CWCAYN038-275	SCREW, SOCKET HEAD, BLK XYLAN, 3/	52
CW30010-101	LABEL,WARNING STRENGTH	53
CW30065-101	LABEL,INSTRUCTION,FLT520	54
CW31759-101	LABEL,SMALL PRECOR USA ICARIAN LINE	55
CW11311-102	ENDCAP, REC TUBE, 2X4, BLK PLASTIC	56
CWAC1236-102	GUIDE INSERT, PLASTIC WITH HOLE, BL	57
CWPF1725-741	BAR,STEEL RND, DIA 1 1/4" X (11), 1	58
CW31784-731	STOP PLUG, BLK ZN	59
CW12634-101	SPRING, TORSION 90 DEG X 0.484 X 0.	72
CW31770-742	LATCH PIVOTING PIN, CLR ZN	73
CWAMNN028-003	RING, RETAINING, 2-TURN, SPIRAL, SS	74
CW12633-101	ENDCAP, REC TUBE, LDP, 1 1/2 X 3 1	75

CW30181-711	ASSY,SEAT SUPPORT,9 HOLE,CHM	99
CW30165-751	ASSY, POP PIN, 0.450 DIA HANDLE, B	100
CWAC220-901	HANDLE END CAP W/SET SCREWS, DIA 3/	101
CWGR2505-000	GRIP,RUBBER,3/4" DIA, 5"	102
CWAC1178-101	FLOOR PROTECTOR, RUBBER, 2.563 X 6.	501
CWAC1180-101	FLOOR PROTECTOR, RUBBER, 2.563 X 4.	502
CWAC1181-101	FLOOR PROTECTOR, RUBBER, 4.563 X 4.	503